

INDUSTRIAL ENCLOSURES

BY TRICEL

40+ YEARS
TECHNICAL
EXPERIENCE



**IP43 RATED COMMERCIAL
ELECTRIC METER ENCLOSURE**
1000 x 750 x 300MM
COMPLIES TO IEC 62208:2011
STOCK CODE: EB0031



TRICEL
CONSTRUCTION

STOCK CODE:
EB0031

IP43 RATED COMMERCIAL ELECTRIC METER ENCLOSURE

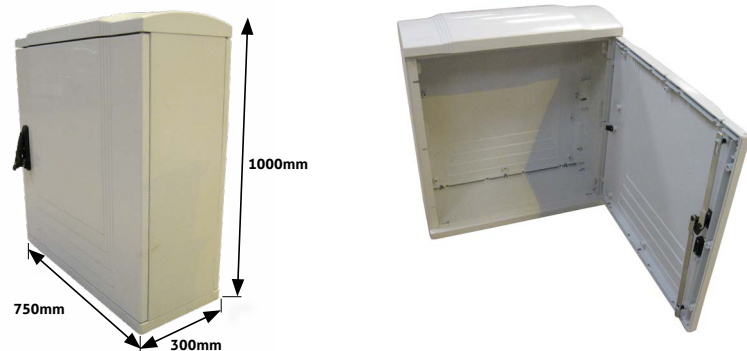
1000 X 750 X 300MM
COMPLIES TO IEC 62208:2011

**INDUSTRIAL
ENCLOSURES**
BY TRICEL

40+
YEARS
TECHNICAL
EXPERIENCE

Suitable for electrical and commercial installations.

Complies with the international standard for empty enclosures as applied to low-voltage switchgear and control gear assemblies (IEC 62208:2011).



Example: photovoltaic nh-fuses

DIMENSIONS

1000mm high x 750mm wide x 300mm deep
The overall height of this box is 1066mm
The opening size is 971mm x 678mm*.

KEY FEATURES

- Electromagnetic compatibility, ideal for protecting internal electronic communication.
- Suitable for low-voltage switchgear and control gear assemblies, meters, compressors, etc.
- Will not corrode, weather resistant with an IP43 rating.
- High impact resistance up to 20 Kilojoules (IK10).
- Double insulation and electrically nonconductive (1000V).
- Triple lock system supported by noncorrosive vertical bars.
- Door hinges on right, 180° opening.
- Easily cleaned and can be painted.

* Approximate dimensions.

In accordance with Tricel's normal policy of product development these specifications are subject to change without notice.

TRICEL UK
Tel: +44 (0)1453 791616

Registered number 02868648

TRICEL IRL
Tel: +353 (0)64 663 2421

Registered number IE 075014

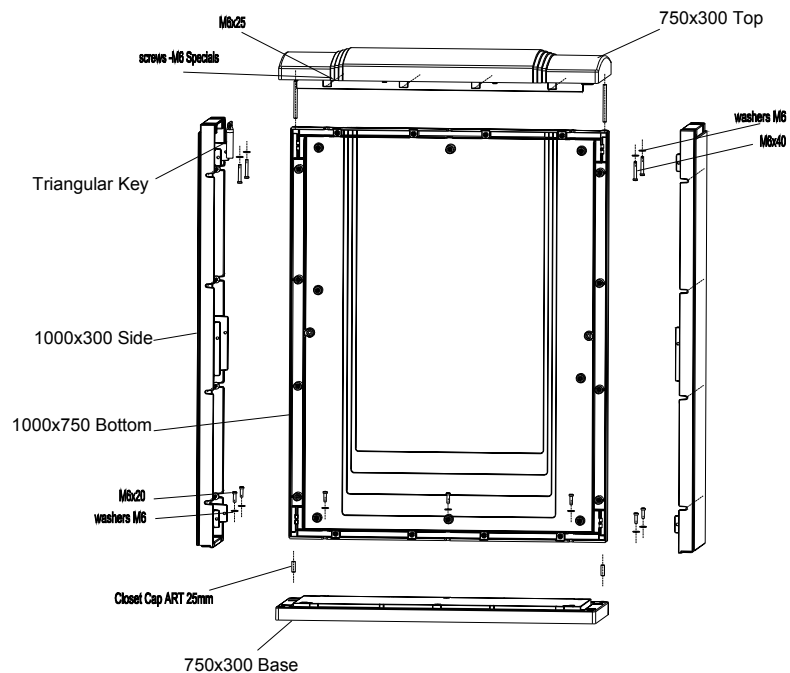
**INDUSTRIAL
ENCLOSURES**
BY TRICEL

40+
YEARS
TECHNICAL
EXPERIENCE

SPECIFICATIONS

- Constructed from Glass Reinforced Polymer (GRP).
- Supplied with hinges, lock and key.
- Polyester back mounting plate (optional) available.
- Supplied in light grey colour (Ral 7035).
- Suitable for use in temperatures ranging from -30°C to +70°C.
- Made from non-hygroscopic material ensuring minimum water absorption.
- Constructed from halogen-free and self-extinguishing material.
- UV protected.

ASSEMBLY INSTRUCTIONS



* Approximate dimensions.

In accordance with Tricel's normal policy of product development these specifications are subject to change without notice.

TRICEL UK
Tel: +44 (0)1453 791616

Registered number 02868648

TRICEL IRL
Tel: +353 (0)64 663 2421

Registered number IE 075014

STOCK CODE:
EB0031

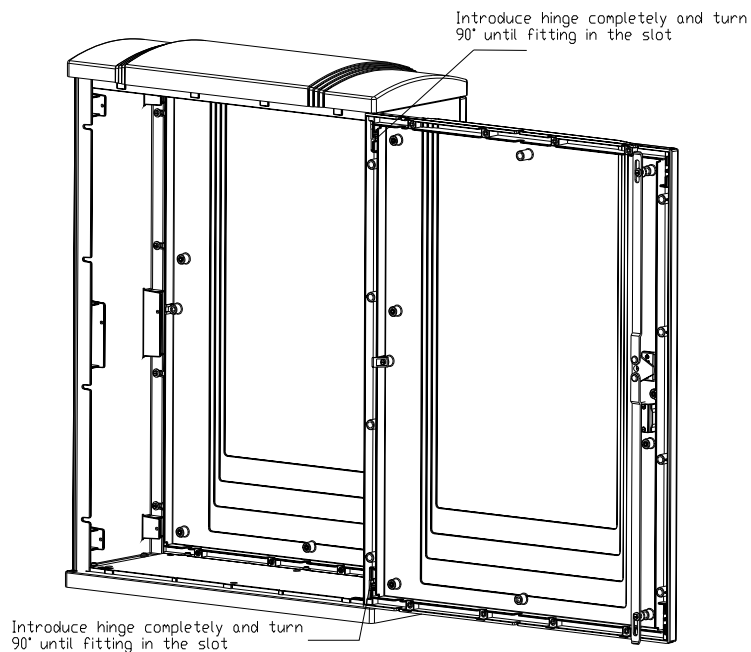
IP43 RATED COMMERCIAL ELECTRIC METER ENCLOSURE

1000 X 750 X 300MM
COMPLIES TO IEC 62208:2011

**INDUSTRIAL
ENCLOSURES**
BY TRICEL

40+
YEARS
TECHNICAL
EXPERIENCE

DOOR ASSEMBLY



* Approximate dimensions.

In accordance with Tricel's normal policy of product development these specifications are subject to change without notice.

TRICEL UK

Tel: +44 (0)1453 791616

Registered number 02868648

TRICEL IRL

Tel: +353 (0)64 663 2421

Registered number IE 075014