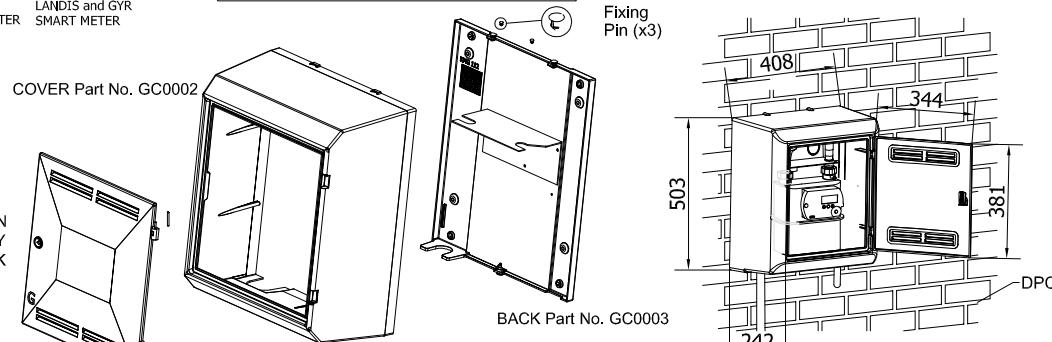


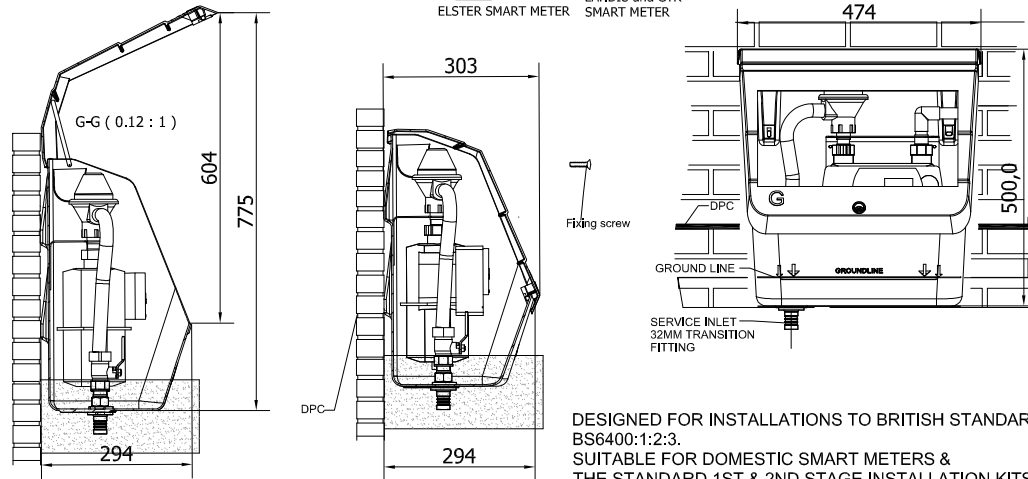
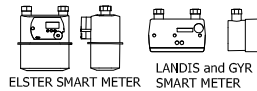
Surface Mounted Gas Meter Box
Product Code GB0002



STANDARD DESIGN BENEFITS
SUITABLE FOR ALL METERS INCLUDING
PREPAYMENT AND SMART METERS
PRODUCT CODE GC002/GD0005 FRONT COVER &
DOOR SUITABLE FOR REPLACEMENT MK2 BACKPLATES
PRS8 COMPLIANT.
DESIGNED FOR INSTALLATIONS TO BRITISH STANDARD BS6400:1:2:3

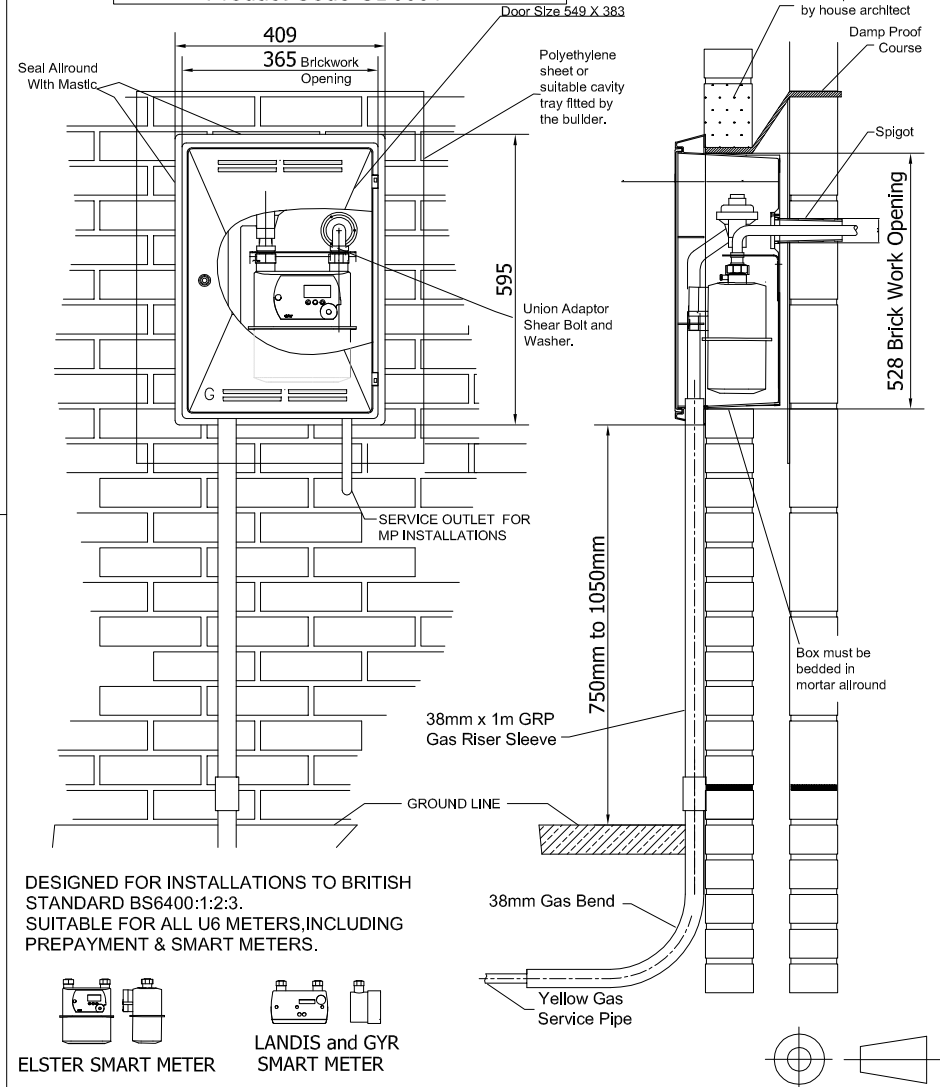
Spare Door for MK2/MK3
Product Code SMMB1

Universal Smart Meter Gas Box(Ground Mounted)
Product Code GB0006

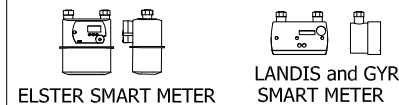


DESIGNED FOR INSTALLATIONS TO BRITISH STANDARD
BS6400:1:2:3.
SUITABLE FOR DOMESTIC SMART METERS &
THE STANDARD 1ST & 2ND STAGE INSTALLATION KITS.

Recessed Built in the Wall Gas Meter Box
Product Code GB0001



DESIGNED FOR INSTALLATIONS TO BRITISH
STANDARD BS6400:1:2:3.
SUITABLE FOR ALL U6 METERS, INCLUDING
PREPAYMENT & SMART METERS.



Drawn	By: DOS	Date: 17-1-2017	All dimensions in mm Unless otherwise stated, general tolerance ±		Part Number:
QA approval	DC		Rev. No.	TITLE:	N/A
Mould No. / Eng Dwg. No: F/Eng/	Scale: n/a	MATERIAL: DMC	004	SPECIFICATION GAS METER BOXES DESIGNED TO BS 8499	

Tricel reserves the right to change the specification without prior notification.

Note. For products with 7 digit part numbers, the first digit represents a colour other than cream, e.g. 9 = GREY

