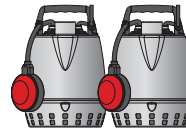


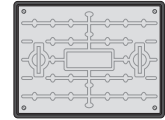


Illustration shows HydroMax 1250 Twin.


## SYSTEM OVERVIEW





Two stainless steel free-standing automatic pumps




Access cover, solid top, locking, galvanised steel, PP frame, FACTA A

 1½" Class E PVC pipework

 1½" Class E PVC discharge

 1½" brass valves

 110 mm inlet

 50 mm cable duct

 110 mm vent

Pumps by



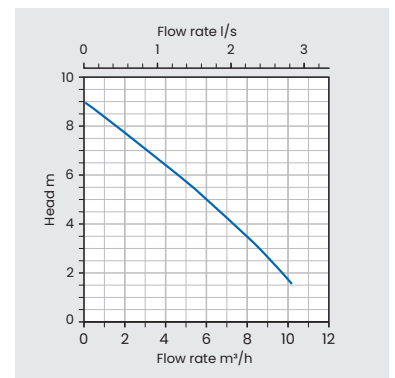
## PRODUCT SUMMARY

- Suitable for groundwater, surface water, grey water or treated effluent from a sewage treatment plant
- Structurally-reinforced tank-grade HDPE chamber
- Two stainless steel automatic pumps
- Vortex impellor for high flow rates
- 600 mm x 450 mm chamber clear opening
- Access cover, 600 x 450 mm clear opening, locking, galvanised steel top with polypropylene frame, single seal, FACTA A (pedestrian duty)
- Inlets and cable ducts can be drilled on site

**Not suitable for pumping untreated sewage. See the Tricel Foullift range.**

## PUMP SPECIFICATIONS (PER PUMP)

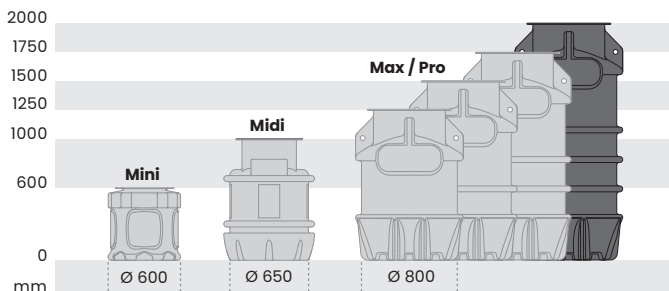
Rated current	2.5 A
P2 motor rating	250 W
RCBO Type-C rating	10 A
Max. head	9.0 m
Max. flow rate	2.8 l/s
Discharge size	1½"
Free passage	10 mm
Pump cable length	10 m



## Distance pumped at 1 l/s by pipe type

Static head	32mm OD MDPE	1½" PVC	1½" PVC	2" PVC
2.0 m	30 m	175 m	320 m	950 m
3.0 m	25 m	135 m	260 m	750 m
4.0 m	20 m	100 m	195 m	550 m
5.0 m	9 m	65 m	125 m	385 m
6.0 m	2 m	30 m	60 m	190 m

Static head is measured from the pump not chamber discharge.



In accordance with Tricel's normal policy of product development these specifications are subject to change without notice. Tricel (Killarney) Unlimited Company trading as Tricel.

## KEY FEATURES

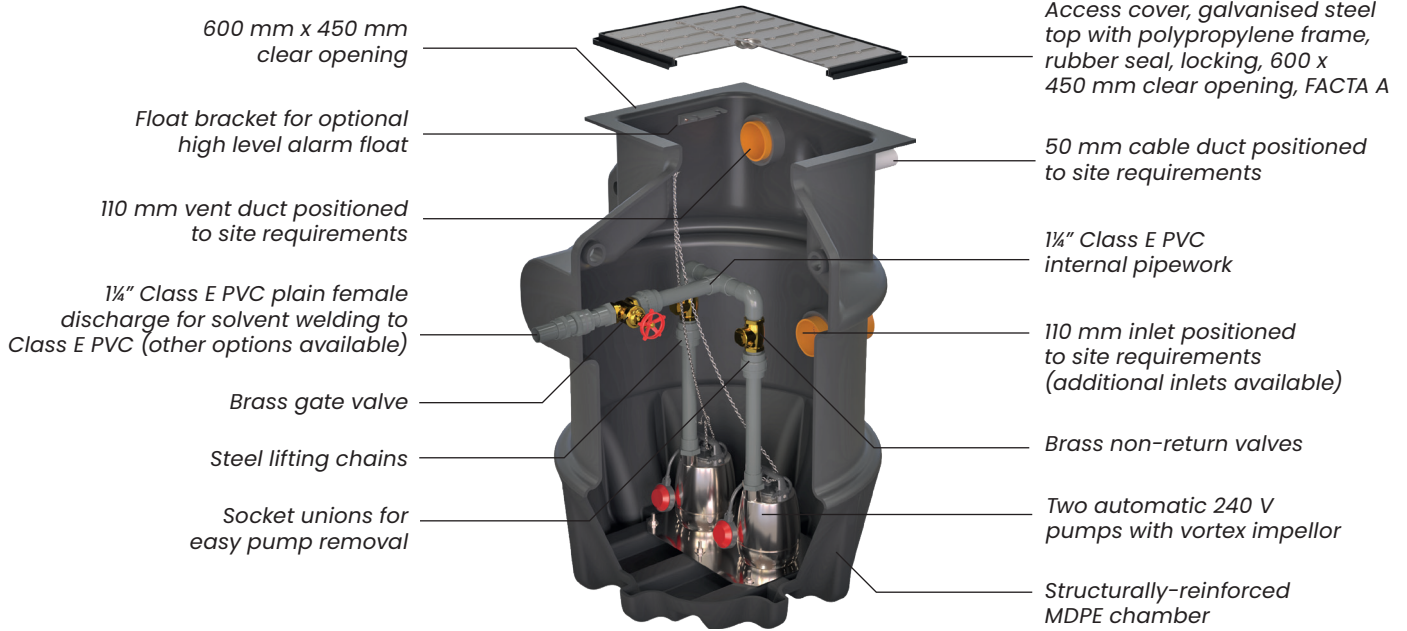
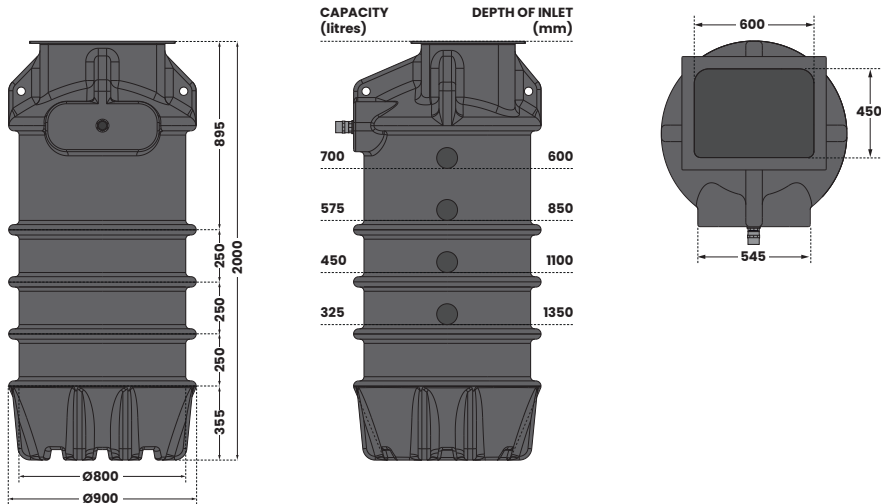


Illustration shows HydroMax 1250 Twin.

## DIMENSIONS



Internal pipework	1 1/4" OD Class E PVC
Discharge pipework	1 1/4" OD Class E PVC
Chamber material	Tank-grade HDPE
Lifting eyes	Yes

Indicative capacity from inlet invert

## RECOMMENDED ACCESSORIES

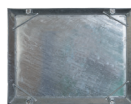
### Tricel AquaSafe Alarm c/w Sump Float Kit



High level alarm alert  
HLA recorded alert  
Service due alert  
Volt-free contacts  
Alarm battery backup

106993

### Inlay access cover 600 x 450 mm



106985

### Additional connections

110 mm 50 mm



107034 107035

### Adaptor for 32 mm MDPE discharge



110456

### PVC discharge reducer kit

1 1/2" to 1 1/4" 2" to 1 1/4"



110454 110455