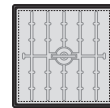




SYSTEM OVERVIEW



One stainless steel free-standing automatic pump



Access cover, galvanised steel top with polypropylene frame, grease seal, non-locking, FACTA AA



1 1/4" Class E PVC pipework



1 1/4" Class E PVC discharge



110 mm inlet



50 mm cable duct



50 mm vent duct

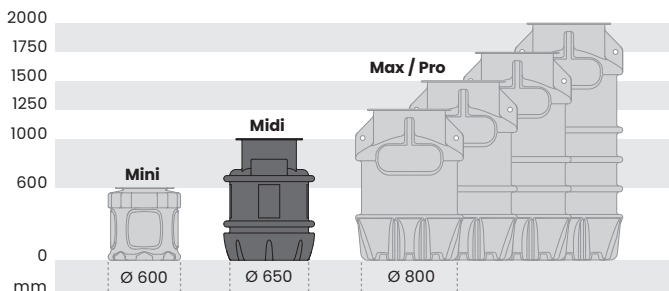
Pumps by



PRODUCT SUMMARY

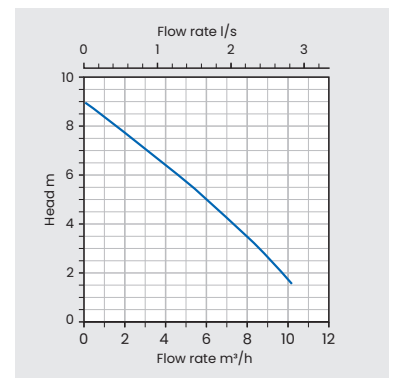
- Suitable for groundwater, surface water, grey water or treated effluent from a sewage treatment plant
- Structurally-reinforced tank-grade MDPE chamber
- One stainless steel automatic pumps
- Vortex impeller for high flow rates
- 450 mm x 450 mm chamber clear opening
- Access cover, 450 x 450 mm clear opening, galvanised steel top with polypropylene frame, grease seal, FACTA AA (5 tonne GLW)
- Inlet and cable duct can be cut on site to suit project

Not suitable for pumping untreated sewage.
See the Tricel Foullift range.



PUMP SPECIFICATIONS

Rated current	2.5 A
P2 motor rating	250 W
RCBO Type-C rating	10 A
Max. head	9.0 m
Max. flow rate	2.8 l/s
Discharge size	1 1/4"
Free passage	10 mm
Pump cable length	10 m



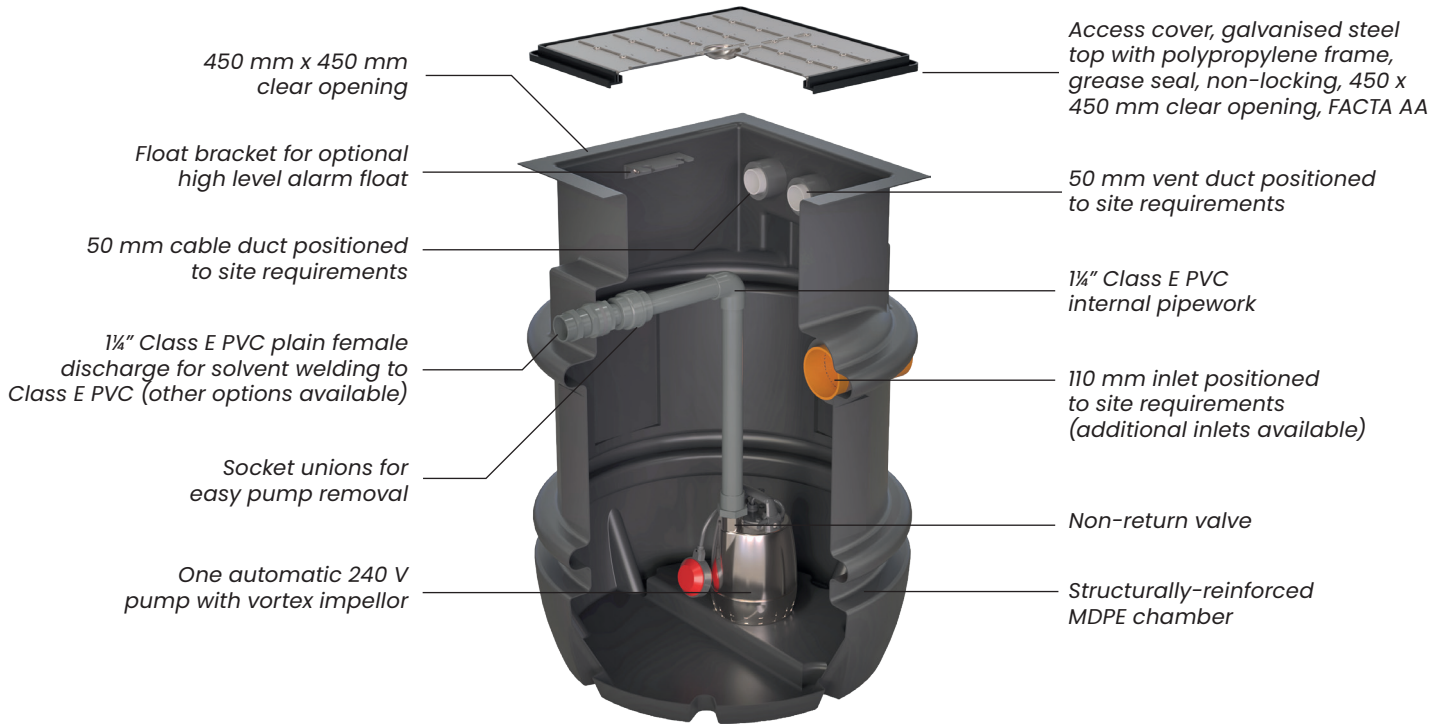
Distance pumped at 1 l/s by pipe type

Static head	32mm OD MDPE	1 1/4" PVC	1 1/2" PVC	2" PVC
2.0 m	30 m	175 m	320 m	950 m
3.0 m	25 m	135 m	260 m	750 m
4.0 m	20 m	100 m	195 m	550 m
5.0 m	9 m	65 m	125 m	385 m
6.0 m	2 m	30 m	60 m	190 m

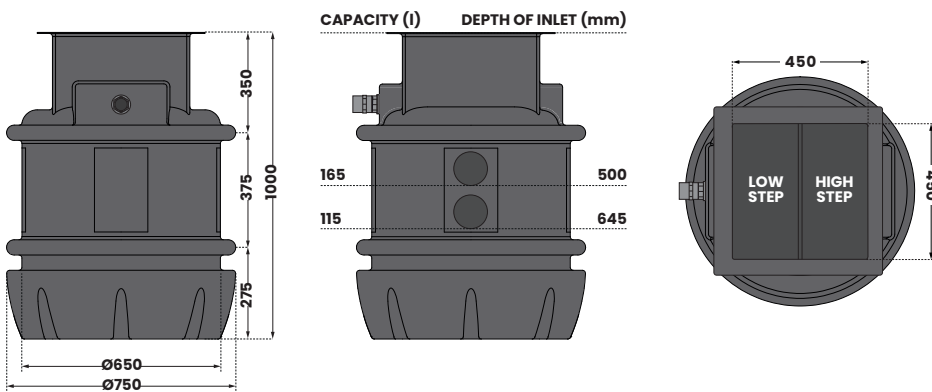
Static head is measured from the pump not chamber discharge.

In accordance with Tricel's normal policy of product development these specifications are subject to change without notice. Tricel (Killarney) Unlimited Company trading as Tricel.

KEY FEATURES



DIMENSIONS



Internal pipework	1 1/4" OD Class E PVC
Discharge pipework	1 1/4" OD Class E PVC
Chamber material	Tank-grade MDPE

Lifting eyes No

Indicative capacity from inlet invert

RECOMMENDED ACCESSORIES

<p>Tricel AquaSafe Alarm c/w Sump Float Kit</p> <p>High level alarm alert HLA recorded alert Service due alert Volt-free contacts Alarm battery backup</p> <p>106993</p>	<p>Inlay access cover 450 x 450 mm</p> <p>106986</p>	<p>Additional connections</p> <p>110 mm 50 mm</p> <p>107034 107035</p>	<p>Adaptor for 32 mm MDPE discharge</p> <p>110456</p>	<p>PVC discharge reducer kit</p> <p>1 1/2" to 1 1/4" 2" to 1 1/4"</p> <p>110454 110455</p>
---	---	---	--	---