



TRICEL
CONSTRUCTION

Compliant to British Standard
BS 8499:2009

Gas meter box (Universal Smart Gas Meter Box)

STOCK CODE: GB0006

SPECIFICATION AND KEY FEATURES

- Designed for smart gas meter installations.
- Designed for the standard meter installation kits.
- Complies with British Standard B.S. 8499 : 2009
- Manufactured in Glass Reinforced PLastic.
- Fire retardant to BS476, Part 7, Class 2.
- Fitted meter bracket.
- Fitted Safety Door stay.
- Will not corrode, weather resistant.
- Complete with lock and key.
- Door opening front to back.

INSTALLATION

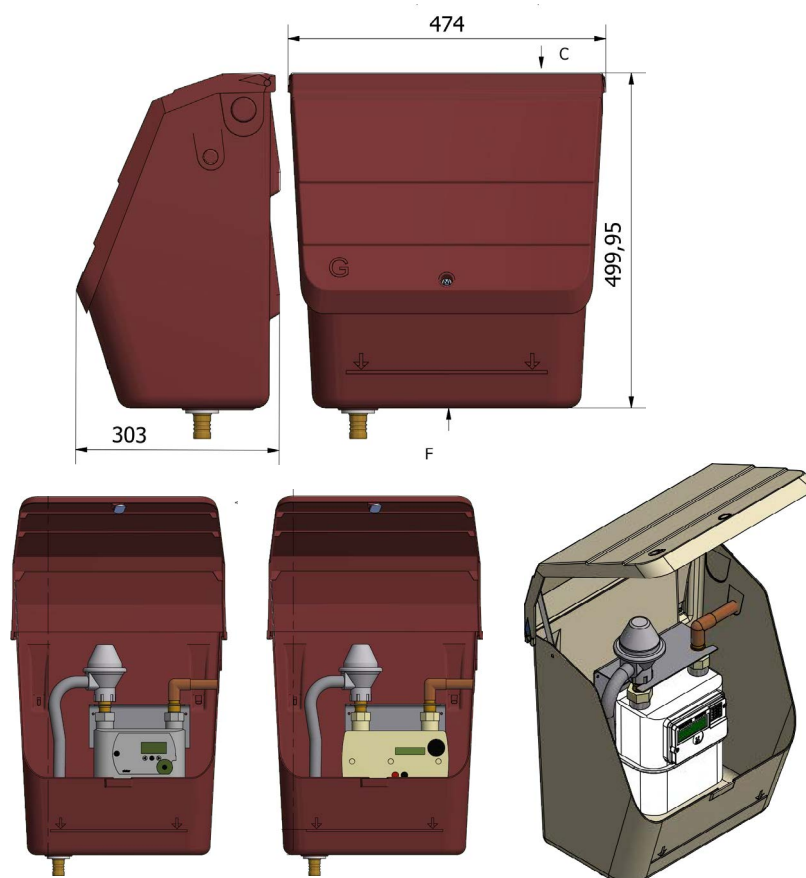
- This meter box should only be fitted by a suitably qualified person.

ASSOCIATED PRODUCT

- Spare key (170001).
- Spare door (GD0007)

DIMENSIONS

- 500 mm high x 4
- 74 mm wide x 303 mm deep



In accordance with Tricel's normal policy of product development these specifications are subject to change without notice.

Tricel (Gloucester) Ltd. - Fox House, Stonedale Road, Stonehouse, Gloucestershire, GL10 3SA, United Kingdom.

Tel: +44 (0) 1453 791 616 | Email: sales@uk.tricel.eu | www.uk.tricel.eu