



**METER BOX
COMMERCIAL
IP43 KIOSK
1000 X 750 X 300
SURFACE**

STOCK NO. EB0031

Suitable for electrical and commercial installations. Complies with the international standard for empty enclosures as applied to low-voltage switchgear and control gear assemblies (IEC 62208:2011).

KEY FEATURES

- Electromagnetic compatibility, ideal for protecting internal electronic communication.
- Suitable for low-voltage switchgear and control gear assemblies, meters, compressors, etc.
- Will not corrode, weather resistant with an IP43 rating.
- High impact resistance up to 20 Kilojoules (IK10).
- Double insulation and electrically non-conductive (1000V).
- Triple lock system supported by non-corrosive vertical bars.
- Door hinges on right, 180° opening.
- Easily cleaned and can be painted.



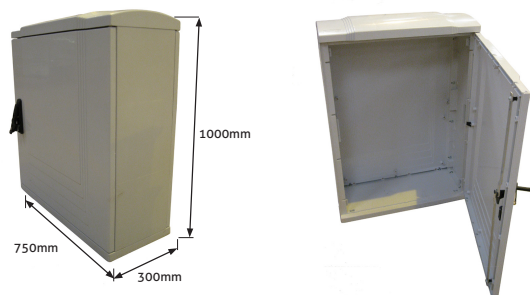
Example: photovoltaic nh-fuses

SPECIFICATIONS

- Constructed from Glass Reinforced Plastic (GRP).
- Supplied with hinges, lock and key.
- Polyester back mounting plate (optional) available.
- Supplied in light grey colour (Ral 7035).
- Suitable for use in temperatures ranging from -30°C to +120°C.
- Made from non-hygroscopic material ensuring minimum water absorption.
- Constructed from halogen-free and self-extinguishing material.
- UV protected.

DIMENSIONS

- 1000mm high x 750mm wide x 300mm deep
- The overall height of this box is 1066mm
- The opening size is 971mm x 678mm*.



* Approximate dimensions.

In accordance with Tricel's normal policy of product development, these specifications are subject to change without notice.

Tricel (Gloucester) Ltd, Fox House, Stonedale Road, Stonehouse, Gloucestershire, GL10 3SA, United Kingdom.

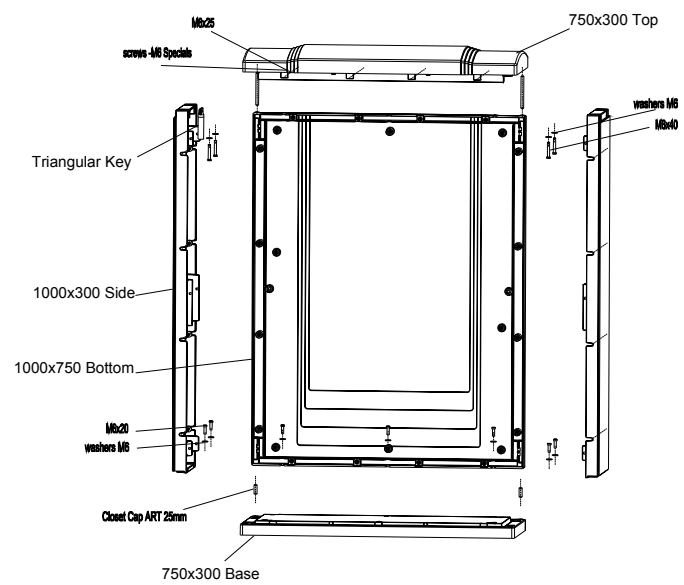
Tel: 01453 791616 | Email: sales@tricel.co.uk | www.tricel.co.uk



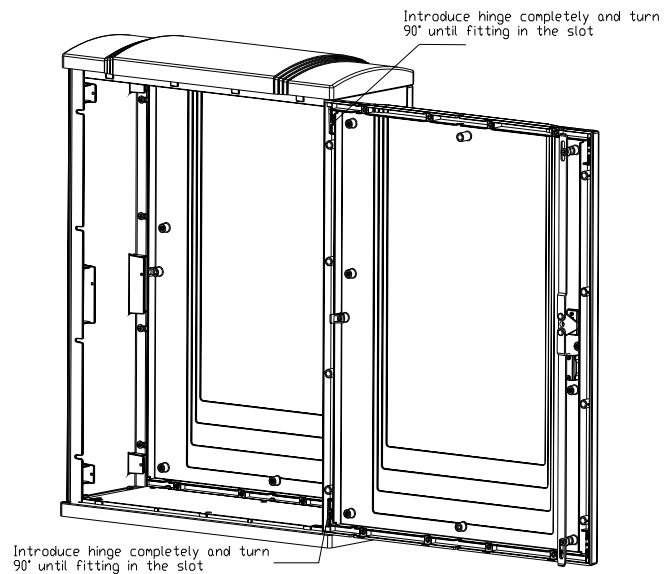
**METER BOX
COMMERCIAL
IP43 KIOSK
1000 X 750 X 300
SURFACE**

STOCK NO. EB0031

ASSEMBLY INSTRUCTIONS



DOOR ASSEMBLY



* Approximate dimensions.
In accordance with Tricel's normal policy of product development, these specifications are subject to change without notice.
Tricel (Gloucester) Ltd, Fox House, Stonedale Road, Stonehouse, Gloucestershire, GL10 3SA, United Kingdom.
Tel: 01453 791616 | Email: sales@tricel.co.uk | www.tricel.co.uk